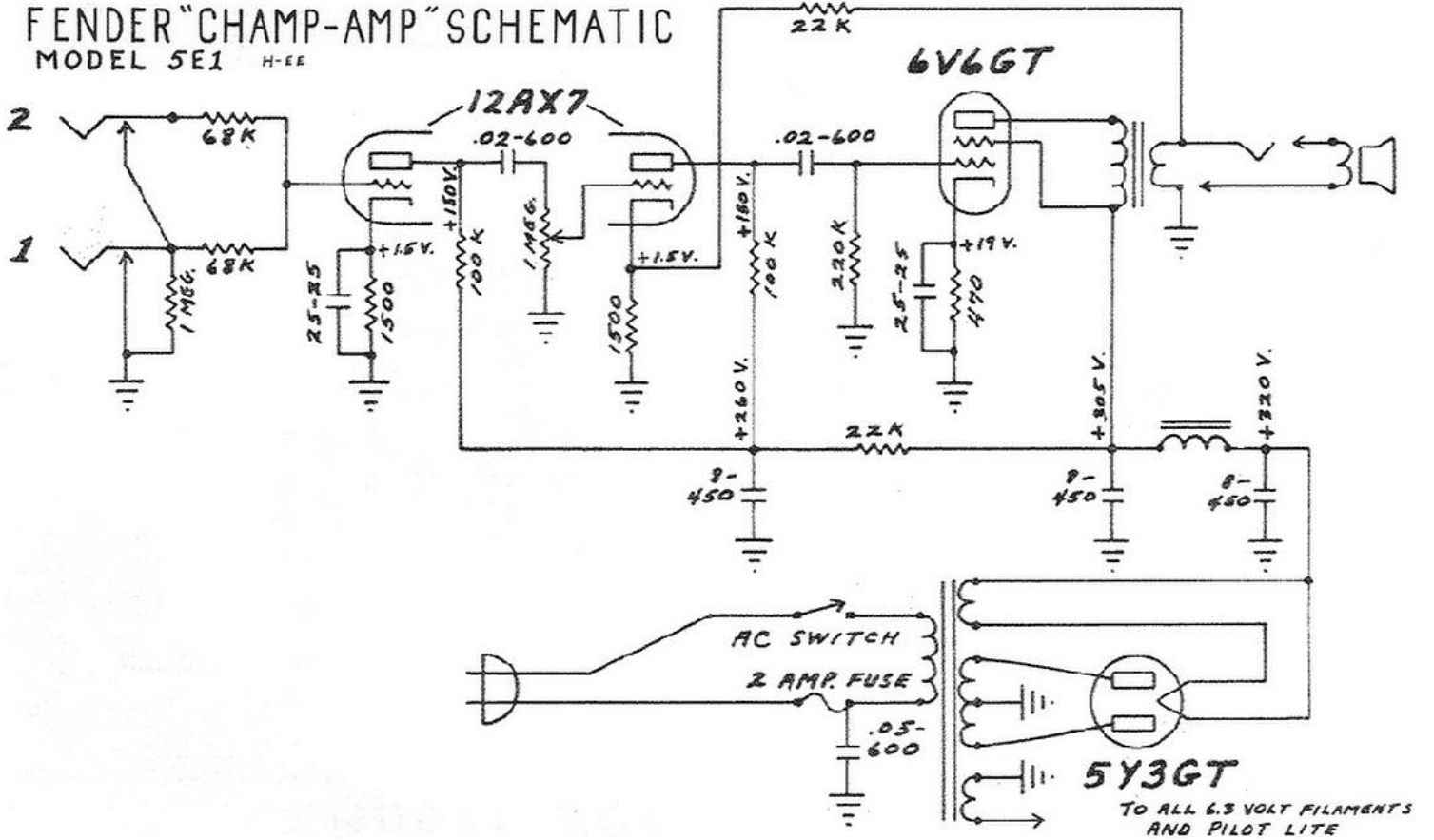


FENDER "CHAMP-AMP" SCHEMATIC

MODEL 5E1 H-EE



TO ALL 6.3 VOLT FILAMENTS AND PILOT LITE

FENDER "CHAMP-AMP" LAYOUT

MODEL 5E1

