

# FENDER BRONCO AMP MODEL

# AB764" SCHEMATIC

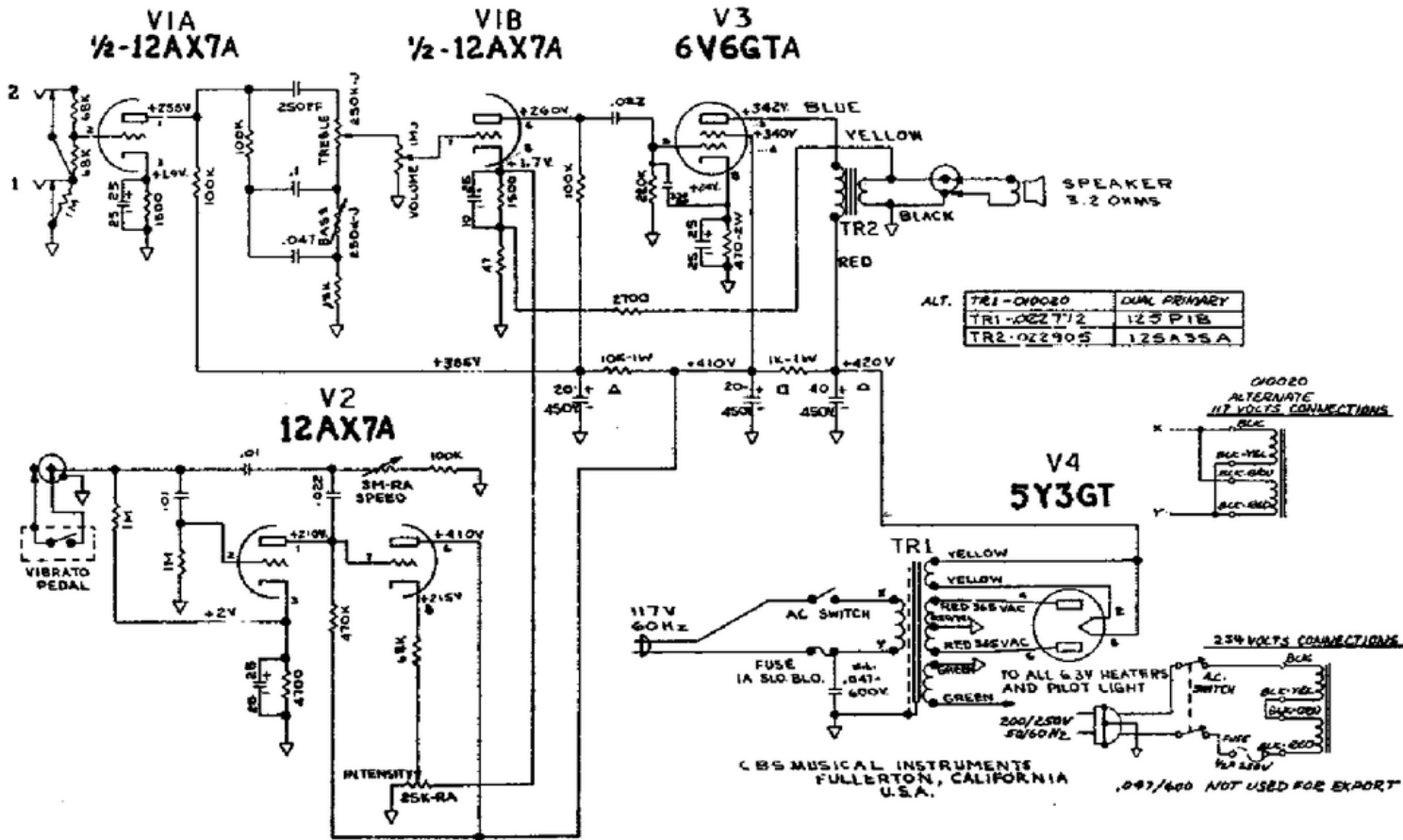
# NOTICE

THIS PRODUCT MANUFACTURED UNDER ONE OR MORE OF THE FOLLOWING U.S. PATENTS - #2817708, # 2973681, 192859 & PATENTS PENDING

1-FD

1. VOLTAGES READ TO GROUND WITH ELECTRONIC VOLT METER VALUES SHOWN + OR - 20%
2. ALL RESISTORS 1/2 WATT 10% TOLERANCE IF NOT SPECIFIED
3. ALL CAPACITORS AT LEAST 600 VOLT RATING IF NOT SPECIFIED
4. WIRE COLORS MAY VARY

INSTRUMENTS



# FENDER "BRONCO" AMP AB764" LAYOUT

1-FD

INTENSITY SPEED BASS

TREBLE VOLUME

INSTRUMENTS

