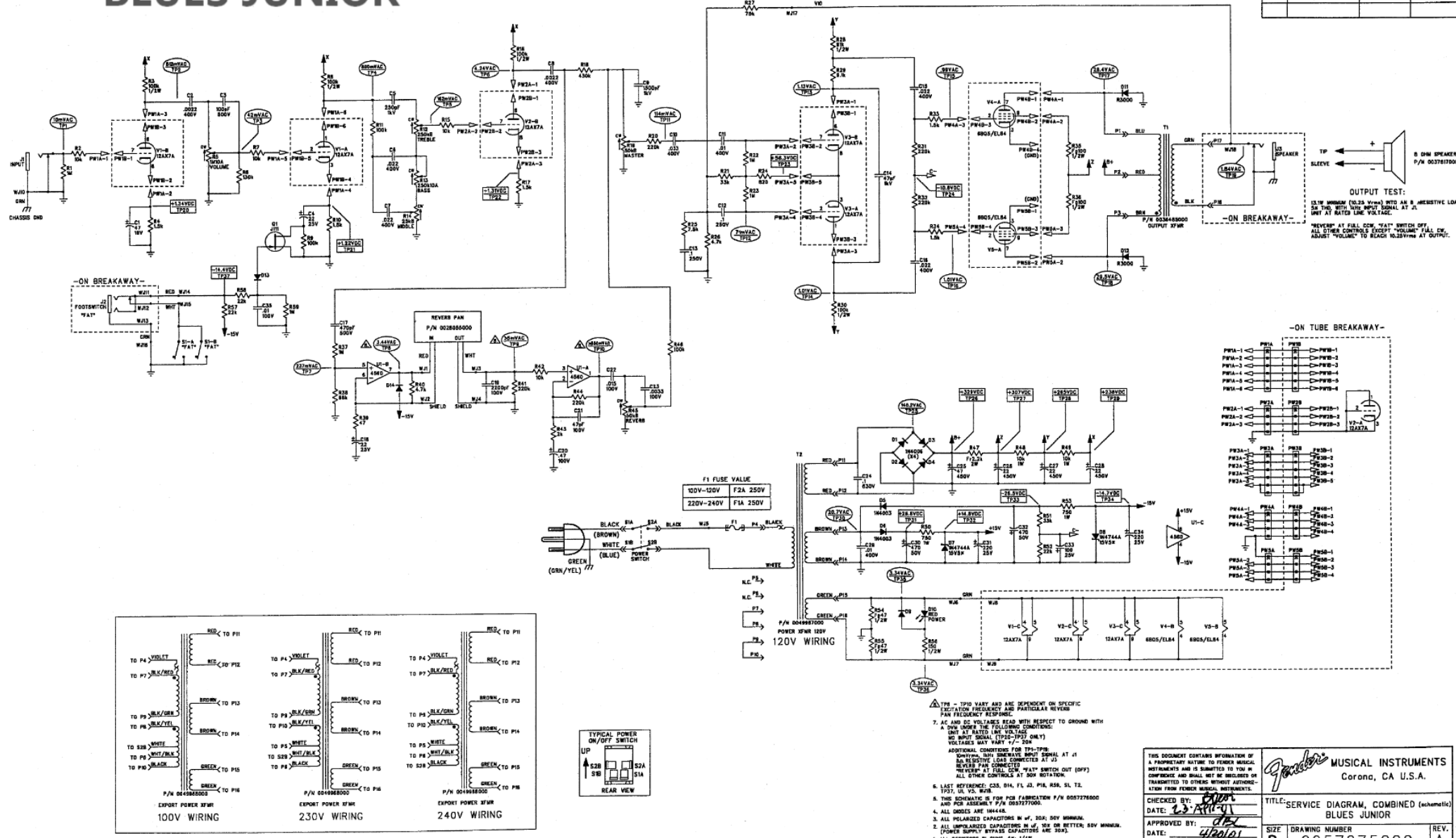


BLUES JUNIOR

REVISIONS			
REV.	DESCRIPTION	DATE	APPROVED
A	EC 2630	21-MAR-01	dBL



THIS DOCUMENT CONTAINS INFORMATION OF A PROPRIETARY NATURE TO FENDER MUSICAL INSTRUMENTS AND IS SUBMITTED TO YOU IN CONFIDENCE AND SHALL NOT BE DISCLOSED OR TRANSMITTED TO OTHERS WITHOUT AUTHORIZATION FROM FENDER MUSICAL INSTRUMENTS.

Fender MUSICAL INSTRUMENTS
 Corona, CA U.S.A.

TITLE: SERVICE DIAGRAM, COMBINED (mechanical)
 BLUES JUNIOR

CHECKED BY: *[Signature]*
 DATE: 2/27/01

APPROVED BY: *[Signature]*
 DATE: 4/20/01

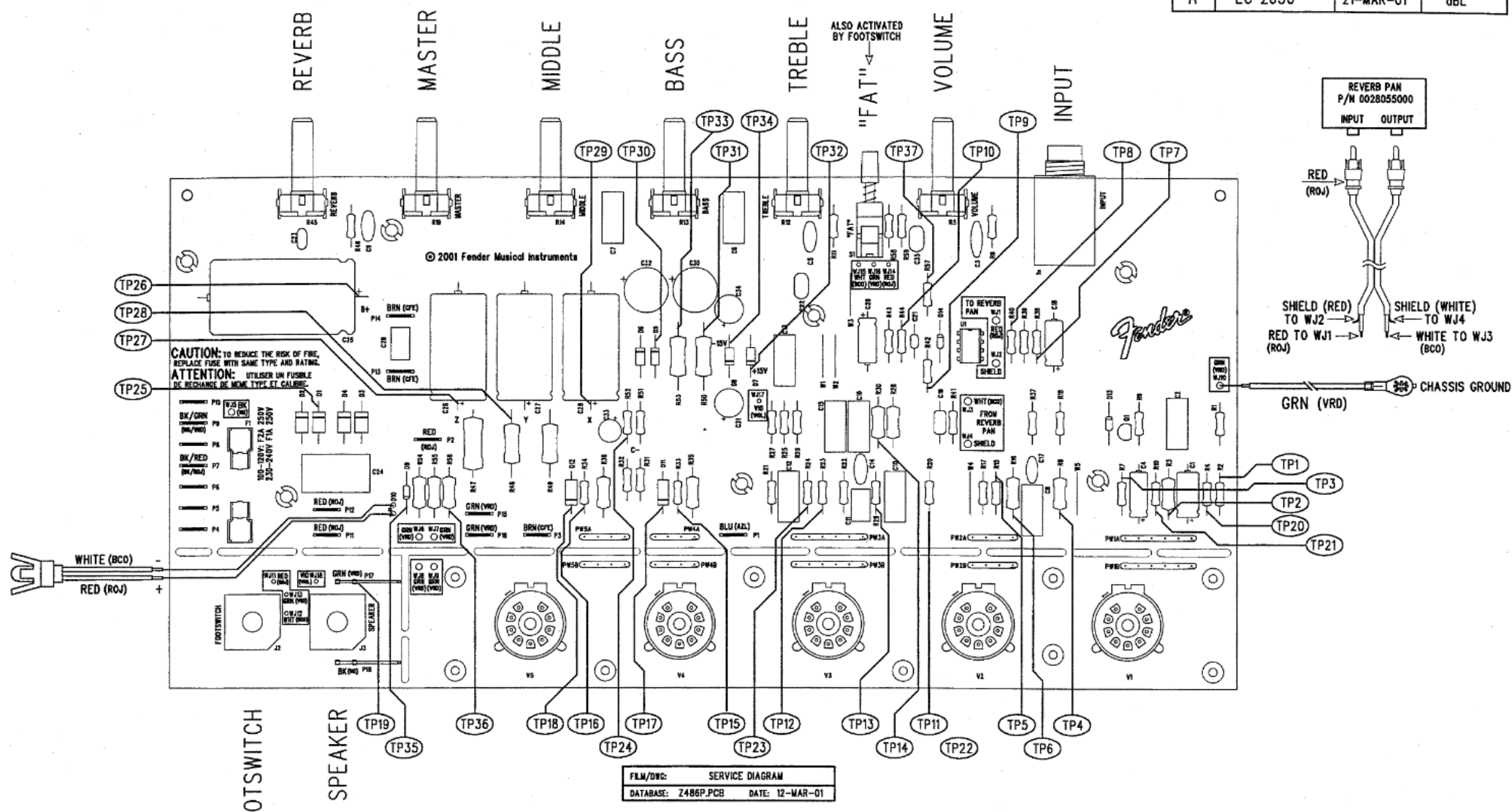
DRAWN: D. LEWIS ENGR: D. LEWIS

SIZE: C DRAWING NUMBER: 0057275000 REV. A

RELEASE DATE: 21-MAR-01 SHEET: 1 OF 2

BLUES JUNIOR

REVISIONS			
REV.	DESCRIPTION	DATE	APPROVED
A	EC 2630	21-MAR-01	dBL



THIS DOCUMENT CONTAINS INFORMATION OF A PROPRIETARY NATURE TO FENDER MUSICAL INSTRUMENTS AND IS SUBMITTED TO YOU IN CONFIDENCE AND SHALL NOT BE DISCLOSED OR TRANSMITTED TO OTHERS WITHOUT AUTHORIZATION FROM FENDER MUSICAL INSTRUMENTS.

Fender MUSICAL INSTRUMENTS
 Corona, CA U.S.A.

TITLE: SERVICE DIAGRAM, COMBINED (PCB assy)
 BLUES JUNIOR

CHECKED BY: *[Signature]*
 DATE: 2/27/01

APPROVED BY: *[Signature]*
 DATE: 4/20/01

DRAWN: D. LEWIS ENGR: D. LEWIS

SIZE: C DRAWING NUMBER: 0057275000 REV. A

RELEASE DATE: 21-MAR-01 SHEET: 2 OF 2

1. SEE SHEET 1 FOR PRIMARY WIRING, TEST CONDITIONS, AND TEST POINT VALUES.
 NOTES: (UNLESS OTHERWISE NOTED)