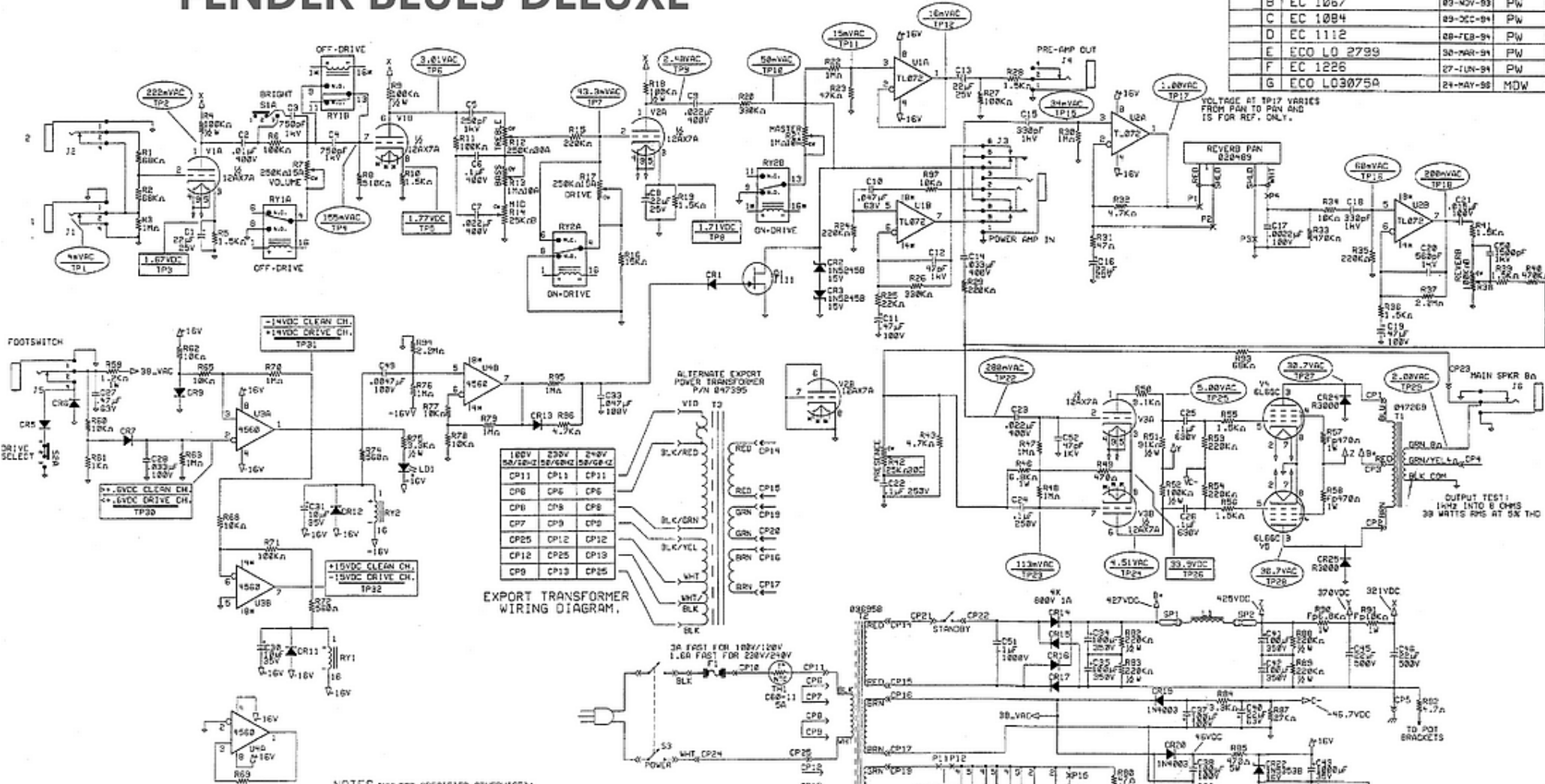


FENDER BLUES DELUXE

REVISIONS				
ZONE	REV.	DESCRIPTION	DATE	APPROVED
A	RELEASED PR	#246	17-SEP-93	PW
B	EC	1067	09-NOV-93	PW
C	EC	1084	09-DEC-94	PW
D	EC	1112	08-FEB-94	PW
E	ECO	LQ 2799	30-MAR-94	PW
F	EC	1226	27-JUN-94	PW
G	ECO	L03075A	24-MAY-98	MDW

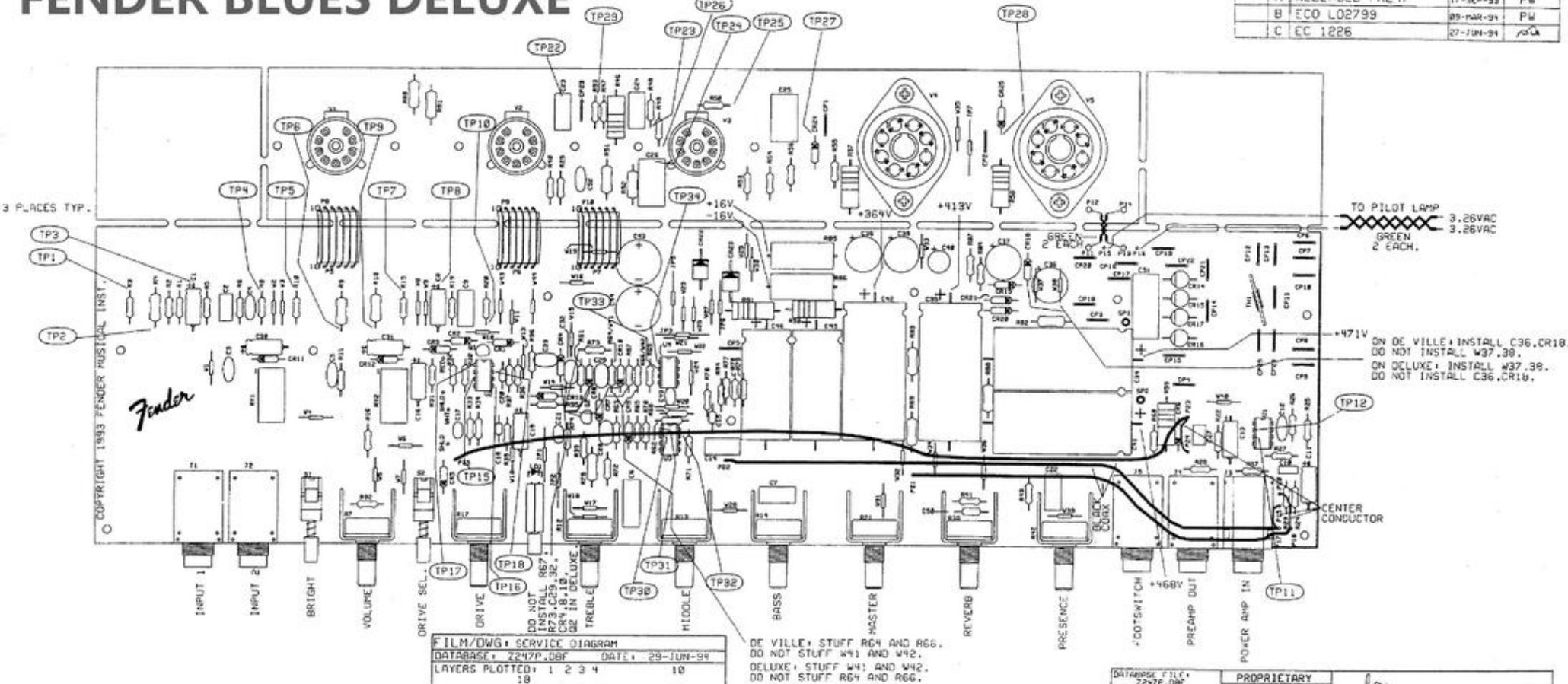


- NOTES (UNLESS SPECIFIED OTHERWISE):
1. ALL RESISTORS IN Ω.
 2. D-DIGIT NUMBERS ARE FENDER PART NUMBERS.
 3. ALL VOLTAGES MEASURED WITH RESPECT TO GROUND, USING A DVM OF AT LEAST 1MΩ DC INPUT IMPEDANCE AND 10MΩ DC INPUT IMPEDANCE. TEST CONDITIONS: LINE VOLTAGE 120VAC 60Hz. FOOTSWITCH CONNECTED, DRIVE CH. SEL., BRIGHT SW. OFF. ALL CONTROLS SET ROT., EXCEPT REVERB BX. SUPPLY AND BIAS VOLTAGES MAY VARY ±5%, ±10%. SIGNAL VOLTAGES MAY VARY ±20%.
 4. X WITH INSTANCE NAME = FLYWIRE CONNECTION.
 5. LAST INSTANCES: RY2, LD1, UN, Q1, TH1, R97, C52, CR25, T2, S3, CP25, VS, LAT, P16, J7, F1.
 6. INSTANCES NOT USED: CR4, S, L8, R8, CR9, S2, S6, J7, L8, J7, VS, LAT, P16, J7, F1.
 7. ALL DIODES 1N4448.

DATABASE FILE: Z246.DBF		PROPRIETARY	
CHECKED BY: ADW	DATE: 6/24/95	FENDER MUSICAL INSTRUMENTS 1130 Columbia Street Brea, CA 92621	
APPROVED: [Signature]	DATE: 6/24/95	TITLE: BLUES DELUXE SCHEMATIC DIAGRAM	
TOLERANCES: 0.1% 0.5% 1% 5% 10% 20%	1.0% 1.5% 2.0% 5.0% 10.0%	SIZE: D	DRAWING NUMBER: 047019 G
NEXT NUMBER ASSEMBLY: BLUES DELUXE		SCALE: 1:1	REV. 1 OF 1

FENDER BLUES DELUXE

REVISIONS				
ZONE	REV.	DESCRIPTION	DATE	APPROVED
A	RELEASED PR	#247	17-SEP-93	PW
B	ECO	LQ2799	09-MAR-94	PW
C	EC	1226	27-JUN-94	PW



FILM/DWG: SERVICE DIAGRAM
 DATABASE: Z247P.DBF DATE: 29-JUN-94
 LAYERS PLOTTED: 1 2 3 4 10

DE VILLE: STUFF R64 AND R66.
 DO NOT STUFF W41 AND W42.
 DELUXE: STUFF W41 AND W42.
 DO NOT STUFF R64 AND R66.

DATABASE FILE: Z247P.DBF		PROPRIETARY	
CHECKED BY: [Signature]	DATE: 6/24/95	FENDER MUSICAL INSTRUMENTS 1130 Columbia Street Brea, CA 92621	
APPROVED: [Signature]	DATE: 6/24/95	TITLE: SERVICE DIAGRAM BLUES DE VILLE/DELUXE	
TOLERANCES: 0.1% 0.5% 1% 5% 10% 20%	1.0% 1.5% 2.0% 5.0% 10.0%	SIZE: D	DRAWING NUMBER: 047005 C
NEXT NUMBER ASSEMBLY: BLUES DE VILLE BLUES DELUXE		SCALE: 1:1	REV. 1 OF 1

- NOTE:
- 1) TEST POINTS TP33,34 NOT APPLICABLE ON DELUXE.
 - 2) PCB SHOWN AS FABRICATED.