

FENDER MODEL "BANDMASTER-AMP AB763" SCHEMATIC

NOTICE

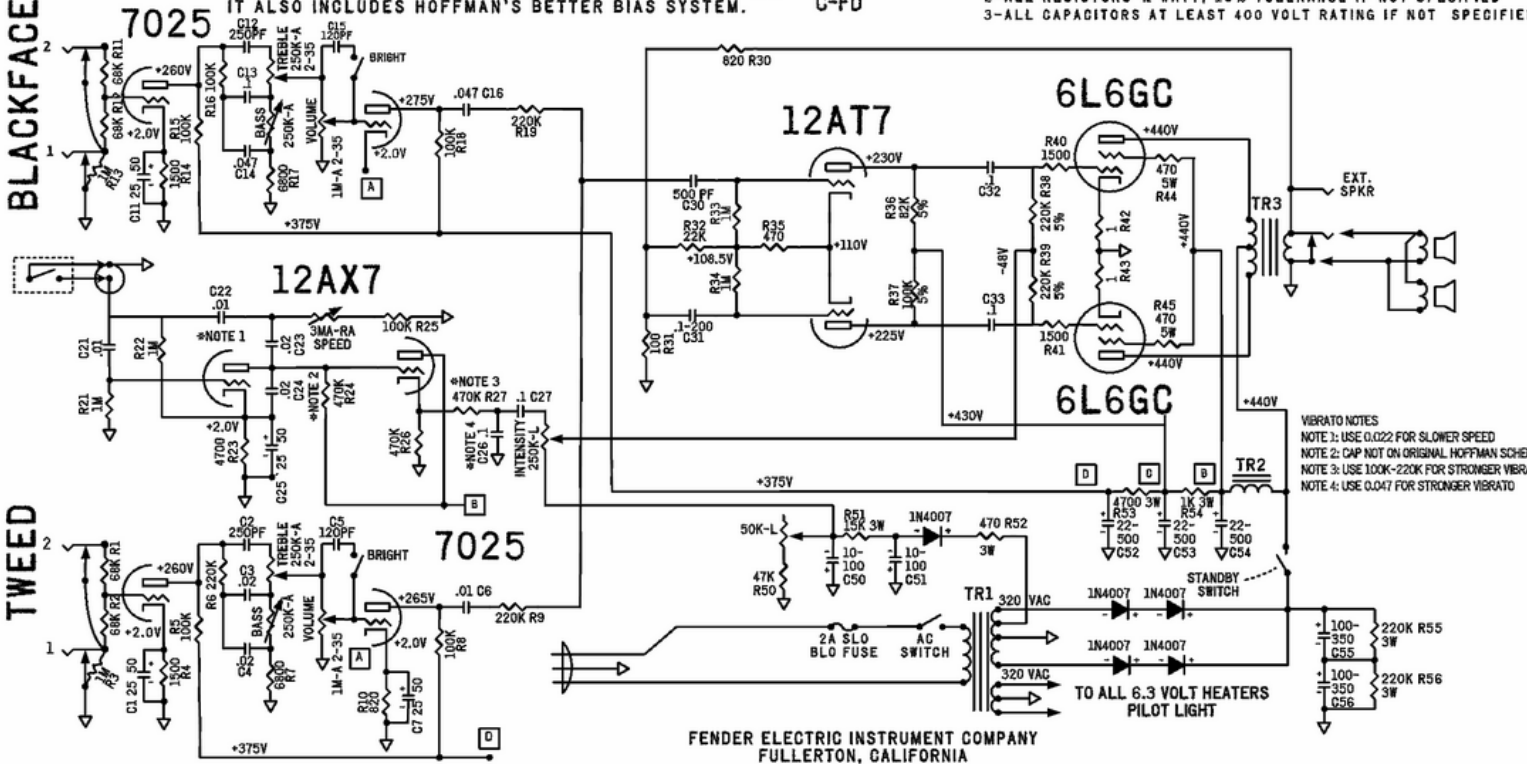
THIS SCHEMATIC IS BASED UPON THE HOFFMAN AB763 CIRCUIT WITH THE 6G16 VIBRATO AND 5F6A TONE STACK. IT ALSO INCLUDES HOFFMAN'S BETTER BIAS SYSTEM.

C-FD

- 1-VOLTAGES READ TO GROUND WITH ELECTRONIC VOLTME- TER VALUES SHOWN + OR - 20%
- 2-ALL RESISTORS 1/2 WATT, 10% TOLERANCE IF NOT SPECIFIED
- 3-ALL CAPACITORS AT LEAST 400 VOLT RATING IF NOT SPECIFIED

BLACKFACE

TWEED



FENDER ELECTRIC INSTRUMENT COMPANY
FULLERTON, CALIFORNIA

VIBRATO NOTES
NOTE 1: USE 0.022 FOR SLOWER SPEED
NOTE 2: CAP NOT ON ORIGINAL HOFFMAN SCHEMATIC
NOTE 3: USE 100K-220K FOR STRONGER VIBRATO
NOTE 4: USE 0.047 FOR STRONGER VIBRATO

FENDER MODEL "BANDMASTER-AMP AB763" LAYOUT

NOTICE

C-FD

VOLTAGES READ TO GROUND WITH ELECTRONIC VOLTME- TER VALUES SHOWN + OR - 20%

