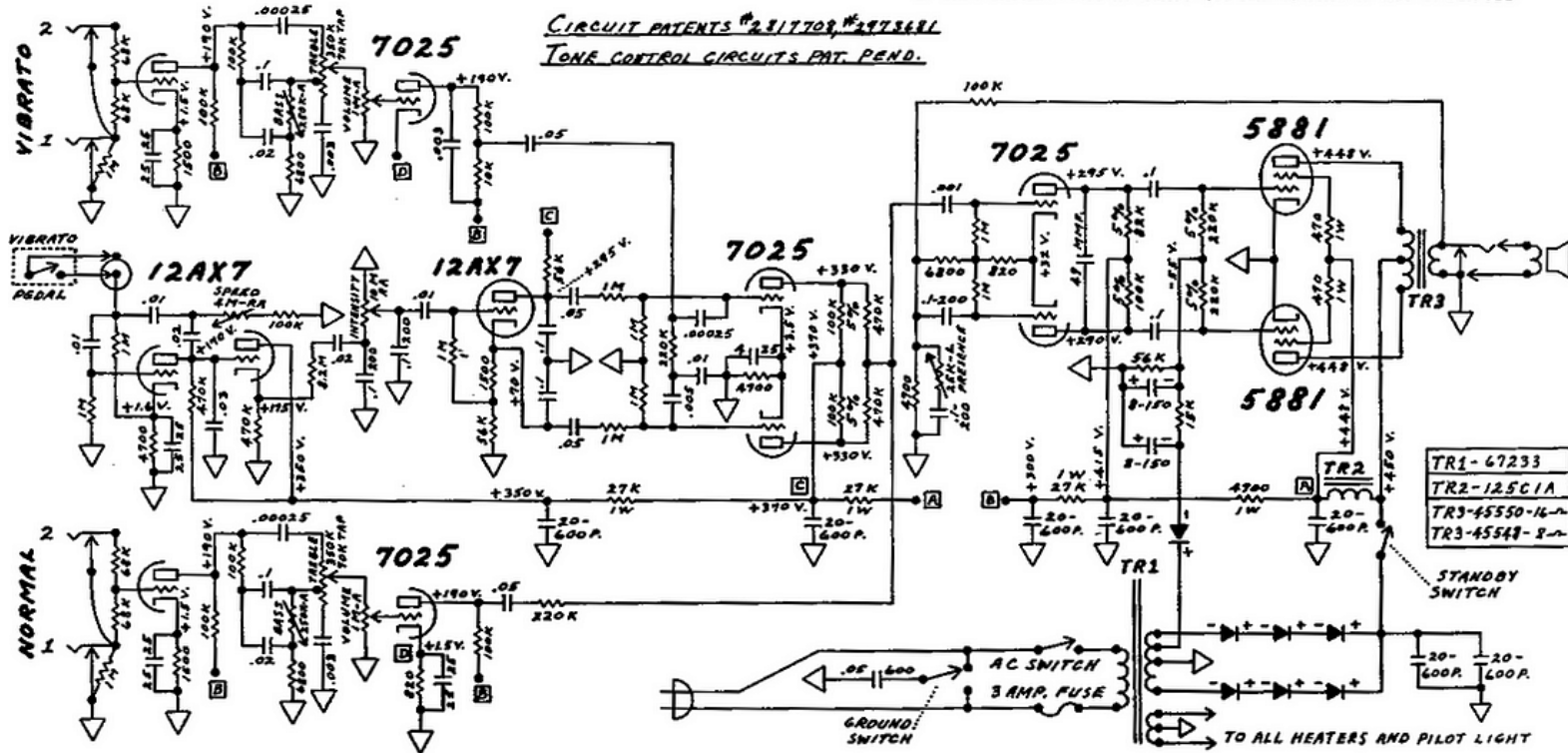


FENDER "VIBRASONIC" SCHEMATIC MODEL 6G13-A

K-FJ

NOTICE

- 1- VOLTAGES READ TO GROUND WITH ELECTRONIC VOLTMETER. VALUES SHOWN + OR - 20%
- 2- ALL RESISTORS 1/2 WATT, 10% TOLERANCE IF NOT SPECIFIED
- 3- ALL CAPACITORS AT LEAST 400 VOLT RATING IF NOT SPECIFIED

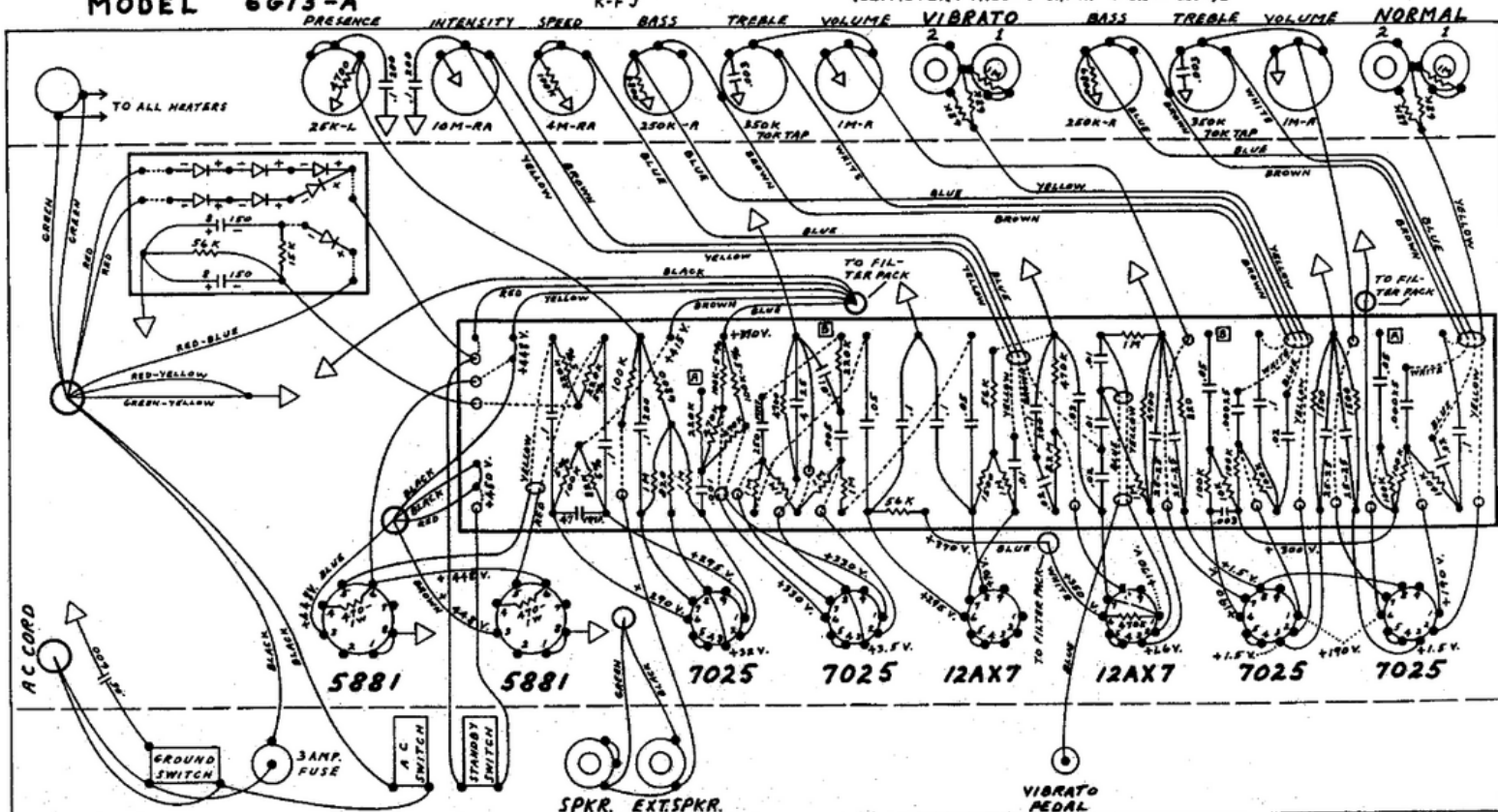


FENDER "VIBRASONIC" LAYOUT MODEL 6G13-A

K-FJ

NOTICE

- VOLTAGES READ TO GROUND WITH ELECTRONIC VOLTMETER. VALUES SHOWN + OR - 20%



NOTE-ALL RESISTORS 1/2 WATT, 10% TOLERANCE, UNLESS SPECIFIED. NOTE-ALL CAPACITORS AT LEAST 400 VOLT RATING UNLESS SPECIFIED