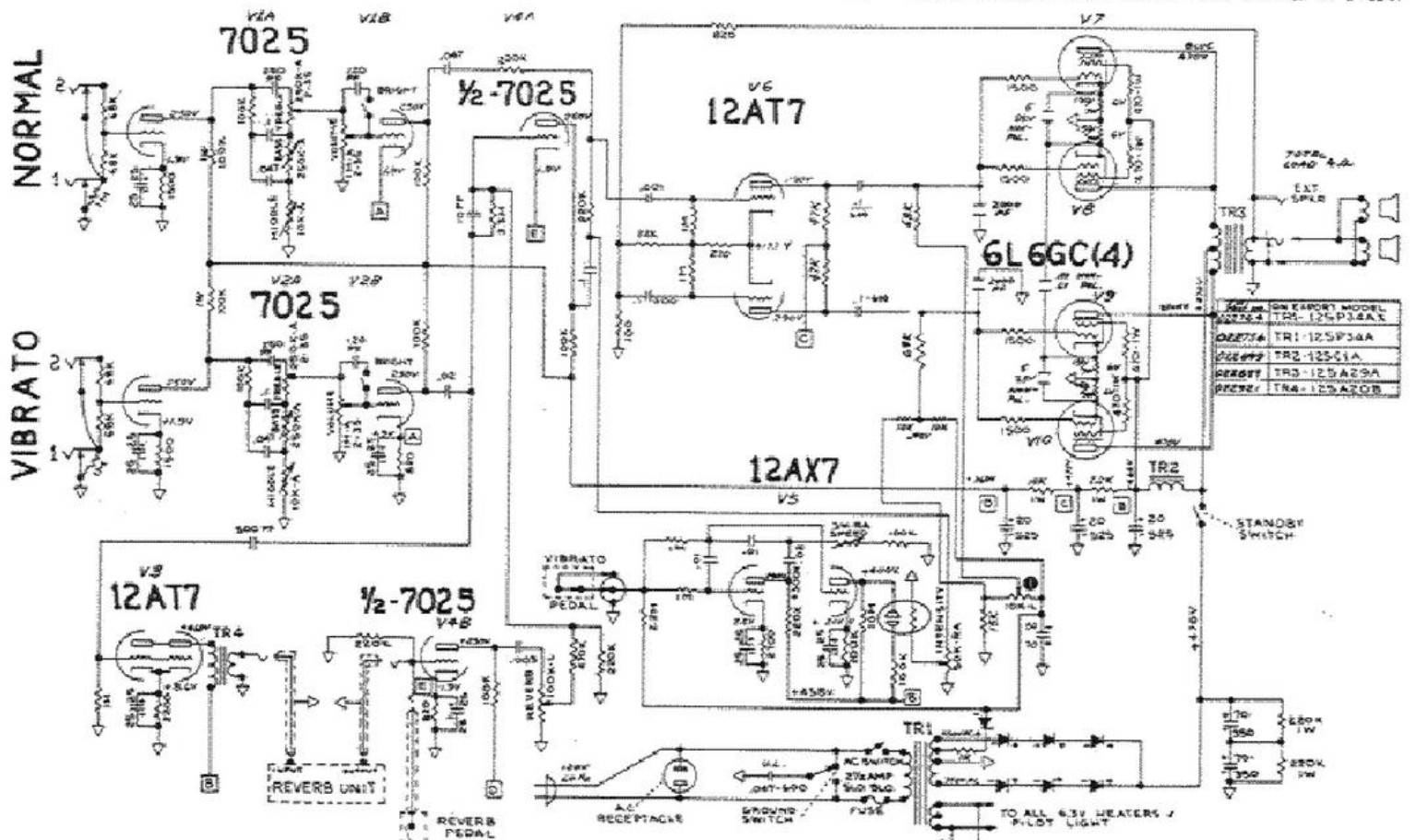


# FENDER MODEL "TWIN REVERB-AMP AC 568 SCHEMATIC NOTICE

THIS PRODUCT MANUFACTURED UNDER ONE OR MORE OF THE FOLLOWING U.S. PATENTS: # 2,017,100; # 2,071,038; # 1,928,897 PATENTS PENDING.

- 1- VOLTAGES READ TO GROUND WITH V.T.V.M.
- 2- ALL RESISTORS 1/2 WATT 10% TOLERANCE IF NOT SPECIFIED.
- 3- ALL CAPACITORS AT LEAST 400 VOLT RATING IF NOT SPECIFIED.
- 4- VOLTAGE MEASURED WITH VIBRATO PEDAL GROUNDED TO CHASSIS.

C-FD



TOTAL 6040 T.O.

60277A	TR1-12.5P3&A
60267Y	TR2-12.5A29A
60267Y	TR3-12.5A29A
60267Y	TR4-12.5A29B

FENDER MUSICAL INSTRUMENTS  
 CBS MUSICAL INSTRUMENTS  
 A DIVISION OF COLUMBIA BROADCASTING SYSTEMS INC.  
 SANTA ANA, CALIFORNIA  
 U.S.A.

CHK	F.S.	REV	5-17-48	MUSICAL INSTRUMENTS SANTA ANA, CALIFORNIA
OK		CHK		
APPD		CHK		
APPD		CHK		
DWG TITLE SCHEMATIC & WIRING DIAGRAM - TWIN REVERB TUBE TYPE				
APPROVAL	REL. NO.	REV	DWG. NO.	REV.
OK	480	D	045377	C
APPROVAL	SCALE	MODEL	TWIN REVERB FLYER TYPE	SHEET 1 OF 2