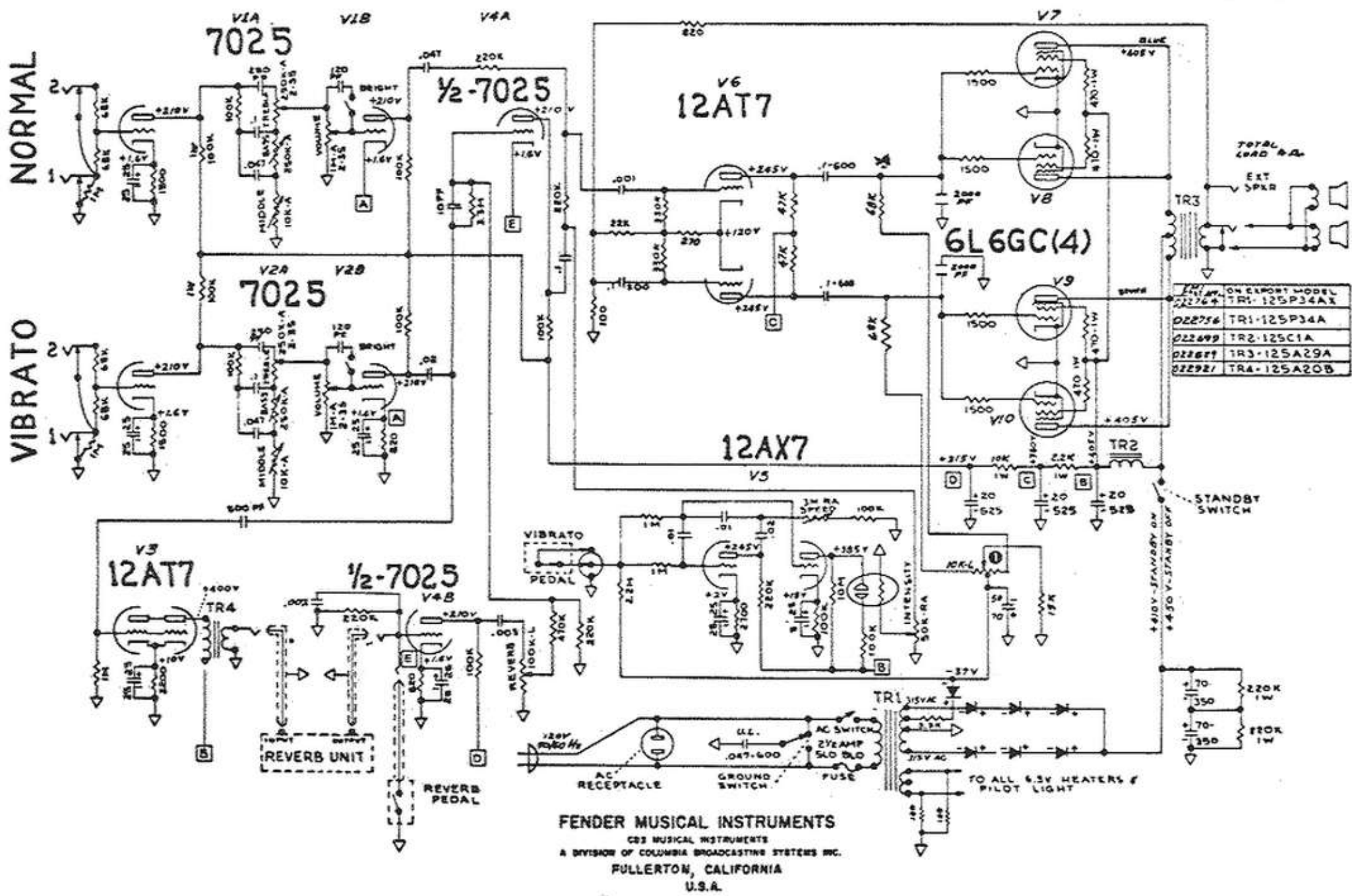


FENDER MODEL "TWIN REVERB-AMP AA769" SCHEMATIC NOTICE

THIS PRODUCT MANUFACTURED UNDER ONE OR MORE OF THE FOLLOWING U.S. PATENTS:
#2817708, #2973681, 1928597 PATENTS PENDING

- 1 - VOLTAGES READ TO GROUND WITH V.T.V.M.
- 2 - ALL RESISTORS 1/2 WATT 10% TOLERANCE IF NOT SPECIFIED
- 3 - ALL CAPACITORS AT LEAST 400 VOLT RATING IF NOT SPECIFIED
- 4 - VOLTAGES MEASURED WITH VIBRATO PEDAL GROUNDED TO CHASSIS.



FENDER MUSICAL INSTRUMENTS
CBS MUSICAL INSTRUMENTS
A DIVISION OF COLUMBIA BROADCASTING SYSTEMS INC.
FULLERTON, CALIFORNIA
U.S.A.

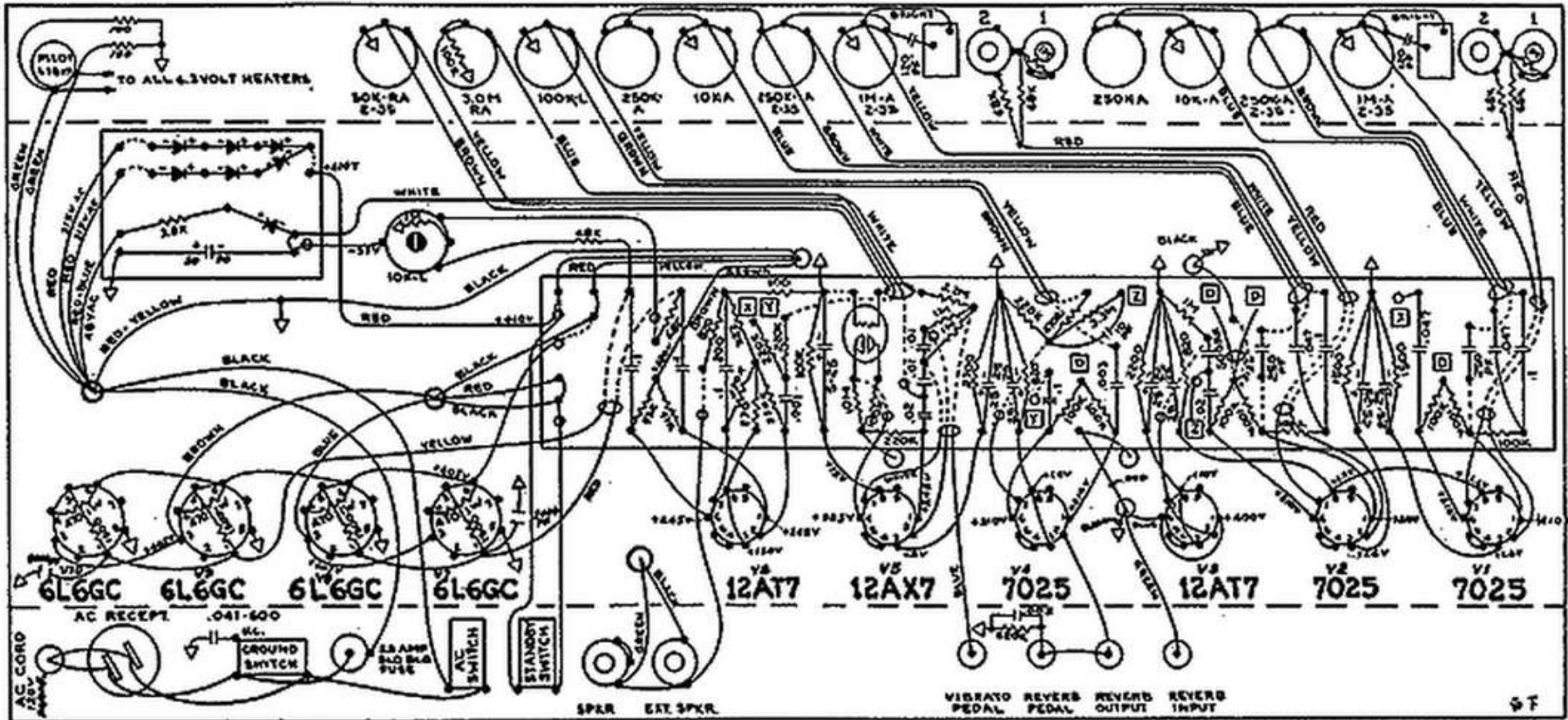
Part No.	Part Description
022756	TR1-125P34A
022699	TR2-125C1A
022877	TR3-125A29A
022927	TR4-125A20B

FENDER MODEL "TWIN REVERB-AMP AA769" LAYOUT

NOTICE

VOLTAGES READ TO GROUND WITH V.T.V.M.

INTENSITY SPEED REVERB BASS MIDDLE TREBLE VOLUME VIBRATO BASS MIDDLE TREBLE VOLUME NORMAL



NOTE: ALL RESISTORS 1/2 WATT 10% TOLERANCE, IF NOT SPECIFIED. NOTE: ALL CAPACITORS AT LEAST 400 VOLT RATING IF NOT SPECIFIED.

FENDER MUSICAL INSTRUMENTS
CBS MUSICAL INSTRUMENTS
A DIVISION OF COLUMBIA BROADCASTING SYSTEMS INC.
FULLERTON, CALIFORNIA
U.S.A.

DATE	BY	CHK	APPD.	APPD.	APPD.	APPD.	APPROVAL	REL. NO.	BOX	OWD. NO.	REV.
									D	045377	D

Fender MUSICAL INSTRUMENTS SANTA ANA, CALIFORNIA
 Dwg. TITLE SCHEMATIC & WIRING DIAGRAM - TWIN REVERB, TUBE TYPE
 SCALE MODEL THIS DRAWING IS NOT TO BE USED FOR REPRODUCTION
 SHEET 2 OF 2