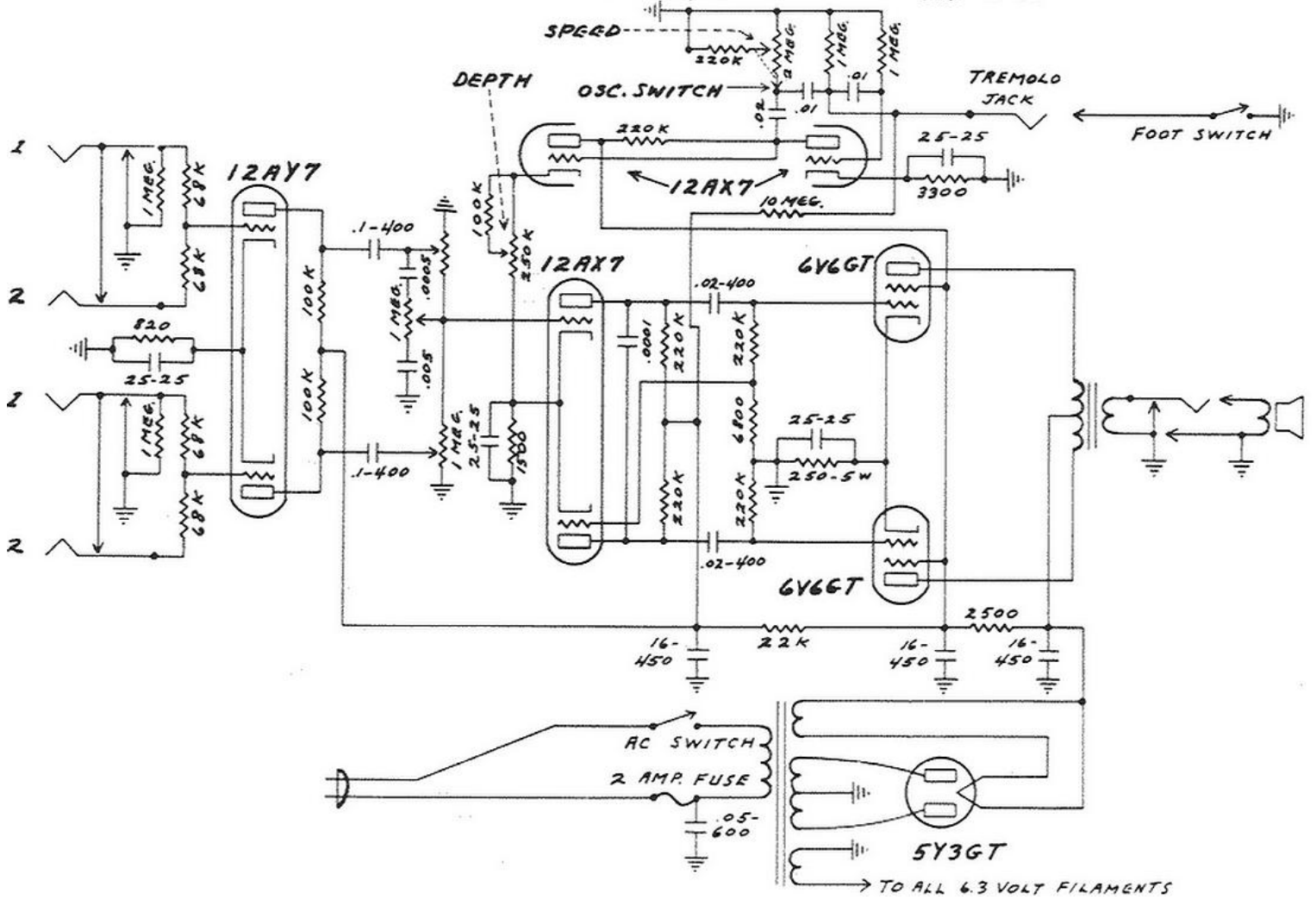


# FENDER "TREMOLUX" SCHEMATIC

MODEL 5E9-A

D-EE



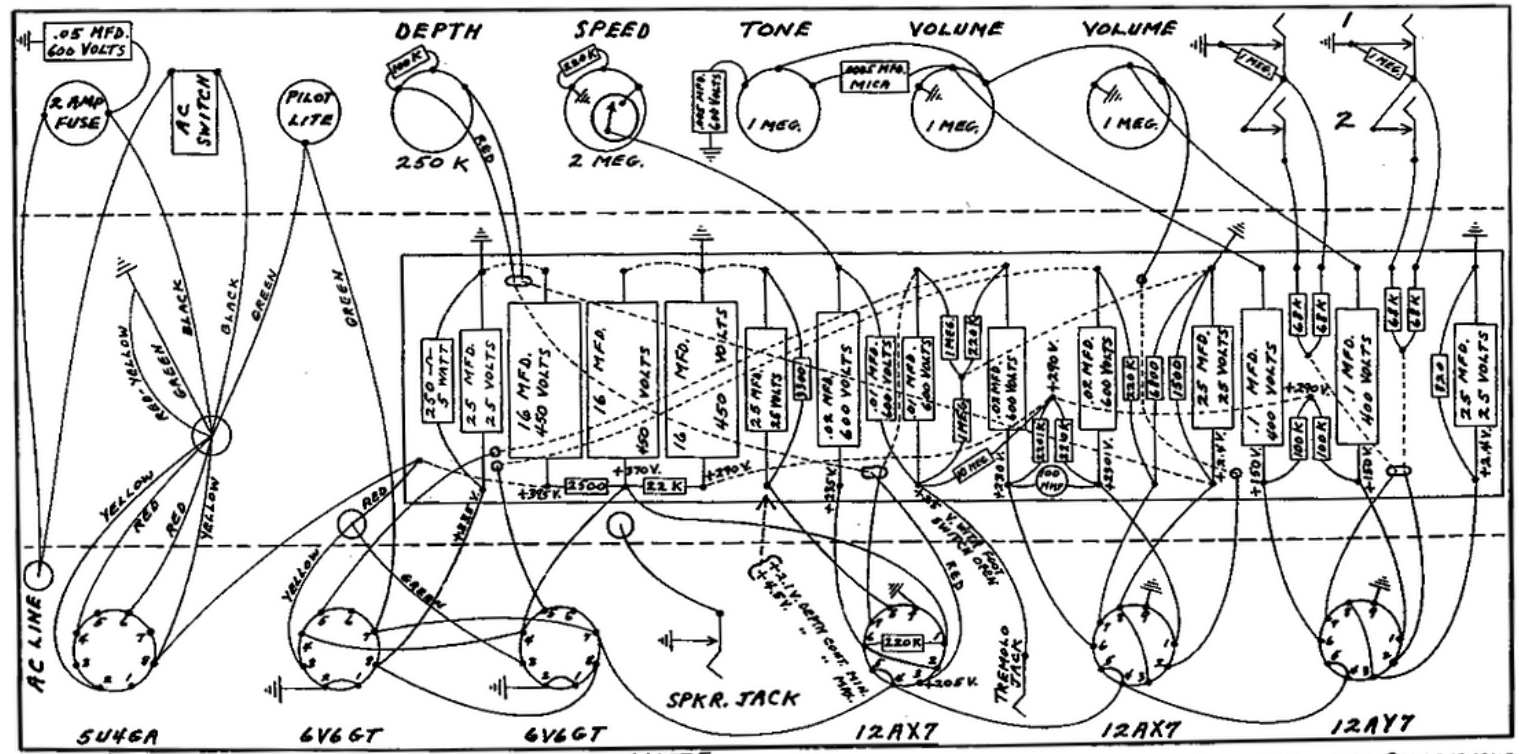
# FENDER "TREMOLUX" LAYOUT

MODEL 5E9-A

D-EE

## NOTICE

VOLTAGES READ TO GROUND WITH ELECTRONIC VOLTMETER VALUES SHOWN  $\pm 0.5 - 2.0\%$



NOTE - MODEL 5E9 uses 5Y3GT instead of 5U4GA

NOTE - EARLY MODELS HAVE SWITCH ON DEPTH CONTROL. INSTEAD OF SPEED CONTROL. CIRCUIT IS SAME.