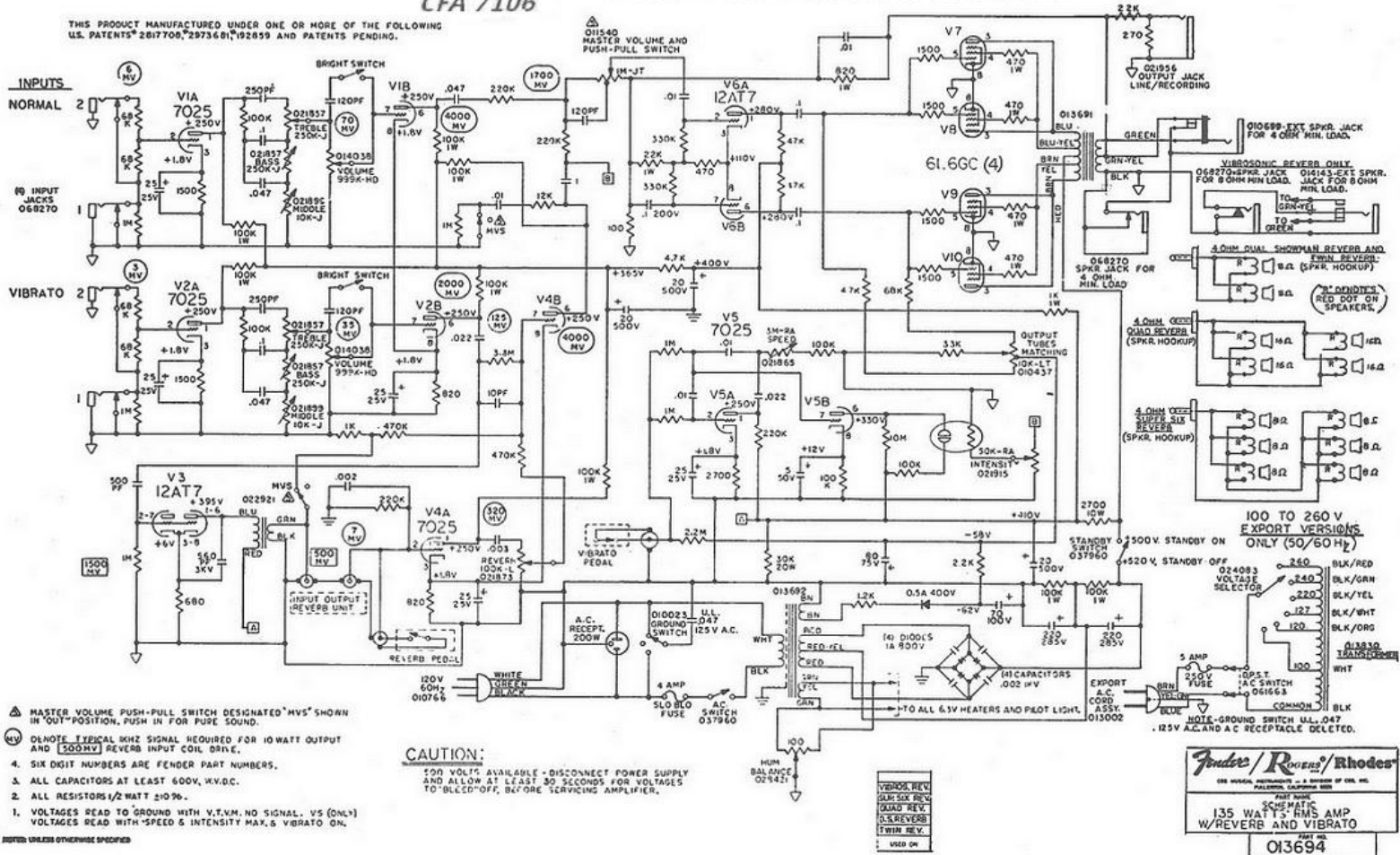


SUPER SIX REVERB

CFA 7106

THIS PRODUCT MANUFACTURED UNDER ONE OR MORE OF THE FOLLOWING U.S. PATENTS* 2817708, 2973681, 192859 AND PATENTS PENDING.



- △ MASTER VOLUME PUSH-PULL SWITCH DESIGNATED 'MVS' SHOWN IN 'OUT' POSITION, PUSH IN FOR PURE SOUND.
- ⊕ DENOTE TYPICAL KHZ SIGNAL REQUIRED FOR 10 WATT OUTPUT AND 500MV REVERB INPUT COIL DRIVE.
- 4. SIX DIGIT NUMBERS ARE FENDER PART NUMBERS.
- 2. ALL CAPACITORS AT LEAST 600V, W.V.D.C.
- 3. ALL RESISTORS 1/2 WATT ±10%.
- 1. VOLTAGES READ TO GROUND WITH V.T.M. NO SIGNAL. V5 (ONLY) VOLTAGES READ WITH SPEED & INTENSITY MAX. & VIBRATO ON.

CAUTION:
200 VOLTS AVAILABLE - DISCONNECT POWER SUPPLY AND ALLOW AT LEAST 30 SECONDS FOR VOLTAGES TO 'BLEED' OFF, BEFORE SERVICING AMPLIFIER.

VERBOS REVERB
SIX REVERB
QUAD REVERB
SIX REVERB
TWIN REVERB
- USED ON

Fender/Rosen/Rhodes
135 WATT'S RMS AMP
W/REVERB AND VIBRATO
PART NO. 013694