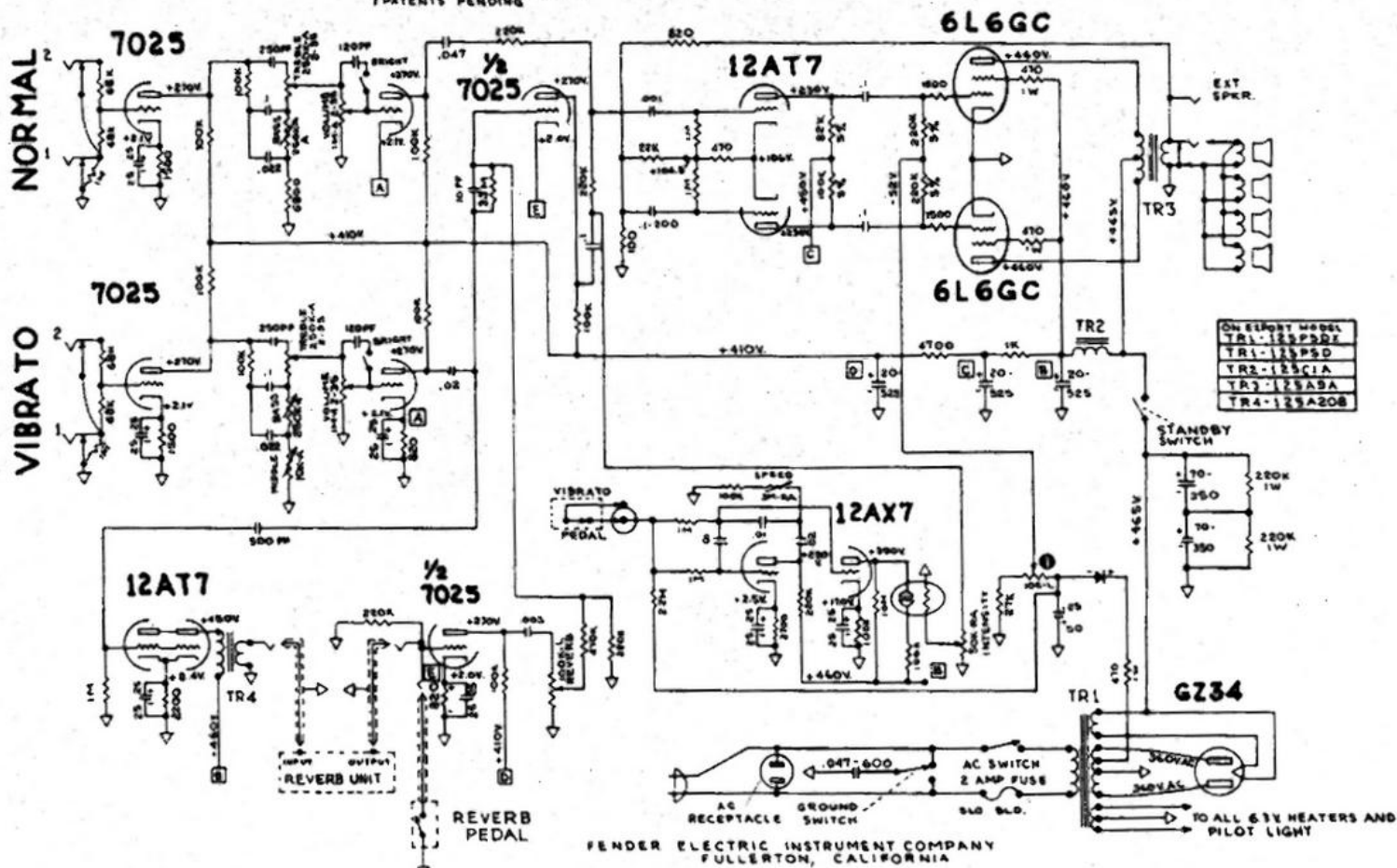


FENDER "SUPER-REVERB-AMP AB 763" SCHEMATIC NOTICE

THIS PRODUCT MANUFACTURED UNDER ONE OR MORE OF THE FOLLOWING U.S. PATENTS: CIRCUIT PATENT # 2617708, # 2973461; DESIGN PATENT # 192859; PATENTS PENDING.

C - FD

1. VOLTAGES READ TO GROUND WITH ELECTRONIC VOLTMETER VALUES SHOWN + OR - 20%
 2. ALL RESISTORS 1/2 WATT, 10% TOLERANCE IF NOT SPECIFIED
 3. ALL CAPACITORS AT LEAST 400 VOLT RATING IF NOT SPECIFIED

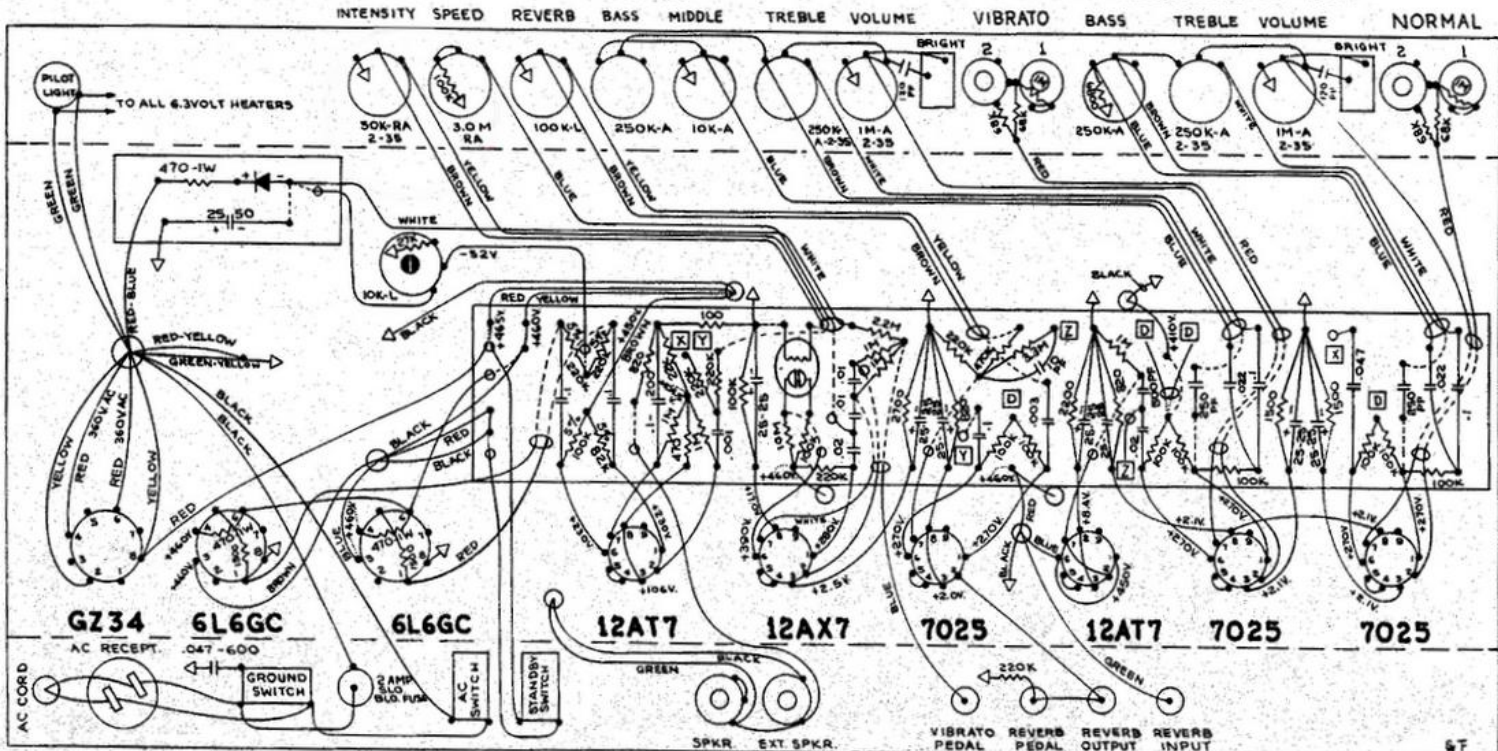


FENDER ELECTRIC INSTRUMENT COMPANY
 FULLERTON, CALIFORNIA

FENDER MODEL "SUPER REVERB-AMP AB 763" LAYOUT

C - FD

VOLTAGES READ TO GROUND WITH ELECTRONIC VOLTMETER VALUES SHOWN + OR - 20%.



NOTE: ALL RESISTORS 1/2 WATT 10% TOLERANCE, IF NOT SPECIFIED.

NOTE: ALL CAPACITORS AT LEAST 400 VOLT RATING IF NOT SPECIFIED.

FENDER ELECTRIC INSTRUMENT COMPANY
 FULLERTON, CALIFORNIA