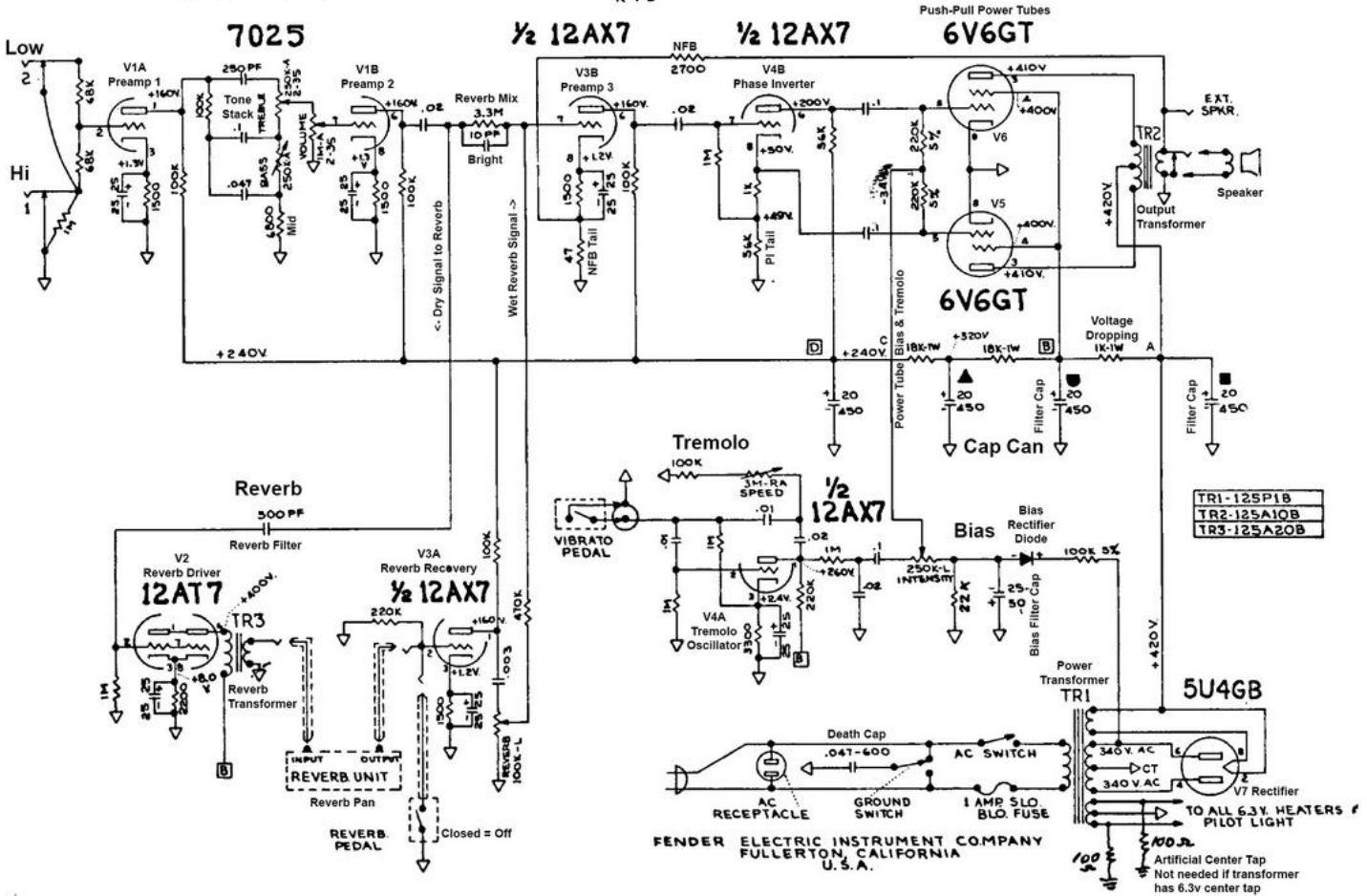


FENDER MODEL "PRINCETON REVERB-AMP AA1164" SCHEMATIC NOTICE

THIS PRODUCT MANUFACTURED UNDER ONE OR MORE OF THE FOLLOWING U.S. PATENTS: #2817708, 2973681, 192859 / PATENTS PENDING.

1. VOLTAGES READ TO GROUND WITH ELECTRONIC VOLTMETER. VALUES SHOWN + OR - 20%.
2. ALL RESISTORS 1/2 WATT 10% TOLERANCE IF NOT SPECIFIED.
3. ALL CAPACITORS AT LEAST 400VOLT RATING IF NOT SPECIFIED.

INSTRUMENTS



FENDER ELECTRIC INSTRUMENT COMPANY
FULLERTON, CALIFORNIA
U.S.A.

FENDER MODEL "PRINCETON REVERB-AMP AA1164" LAYOUT

