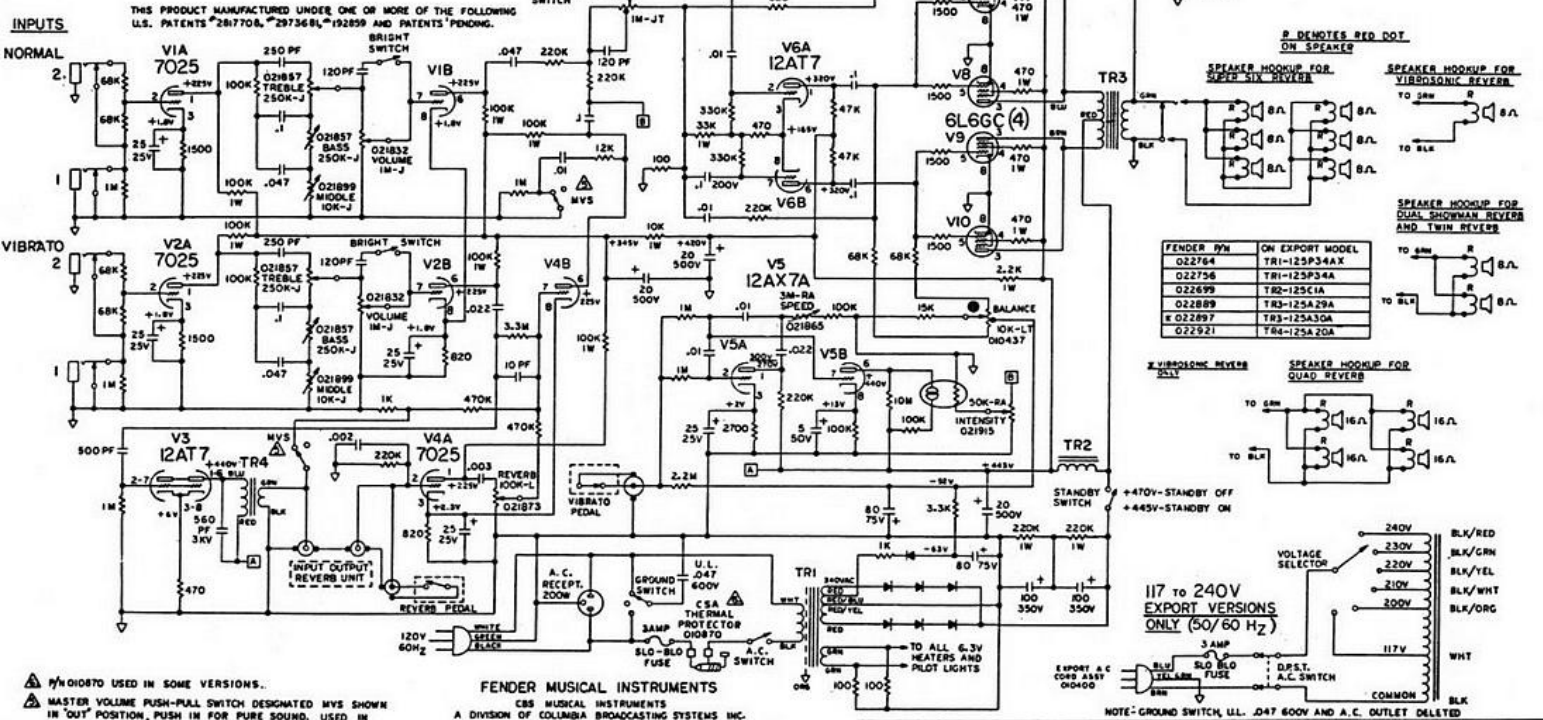


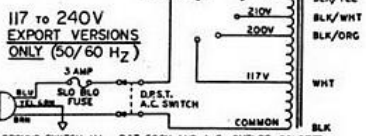
# "DUAL SHOWMAN REVERB-AMP AA769"



- THIS PRODUCT MANUFACTURED UNDER ONE OR MORE OF THE FOLLOWING U.S. PATENTS 2817708, 2973681, 192859 AND PATENTS PENDING.
- △ 6X4 DIODES USED IN SOME VERSIONS.
- △ MASTER VOLUME PUSH-PULL SWITCH DESIGNATED MVS SHOWN IN "OUT" POSITION, PUSH IN FOR PURE SOUND. USED IN SOME VERSIONS.
- FENDER ♯N FOR CONTROLS INDICATED.
  - ALL CAPACITORS AT LEAST 600V, W.V.D.C.
  - ALL RESISTORS 1/2 WATT ± 10%.
  - VOLTAGES READ TO GROUND WITH V.T.V.M. WITH VIBRATO GROUND (EXCEPT V5) - NO INPUT SIGNAL.
- SAMPLES OF PRINT APPROVAL PHOTO MUST BE APPROVED BY CBS (E) ENG. BEFORE STARTING PRODUCTION.
- NOTE: UNLESS OTHERWISE SPECIFIED

FENDER MUSICAL INSTRUMENTS  
CBS MUSICAL INSTRUMENTS  
A DIVISION OF COLUMBIA BROADCASTING SYSTEMS INC.  
FULLERTON, CALIFORNIA  
U.S.A.

FENDER ♯N	ON EXPORT MODEL
022764	TR-125P34AK
022768	TR-125P34A
022699	TR2-125C1A
022899	TR3-125A29A
022897	TR3-125A30A
022921	TR4-125A20A



MODEL NO.	USED ON	UNLESS OTHERWISE SPECIFIED	DATE	BY
VIBROSONIC REV. EXP.				
VIBROSONIC REVERB I				
SUPER SIX REVERB EXP				
DUAL REVERB EXPORT				
DUAL SHOWMAN REV. EXP				
REVERB COMP				
REVERB - DRUM & PERCUSSION				
CF47108	SUPER SIX REVERB			
CF47104	DUAL REVERB			
TF150009	DUAL SHOWMAN REVERB			
TR10000	TWIN REVERB			
MODEL NO.	USED ON	UNLESS OTHERWISE SPECIFIED	DATE	BY

**CBS** MUSICAL INSTRUMENTS  
FULLERTON, CALIFORNIA

— SCHEMATIC —

**100 WATTS RMS AMP  
W/ REVERB AND VIBRATO**

REL. NO. **41** | DES. NO. **D** | DATE **010182** | BY **F**

SCALE **HOOD SEVERAL** | SHEET **1** OF **1**