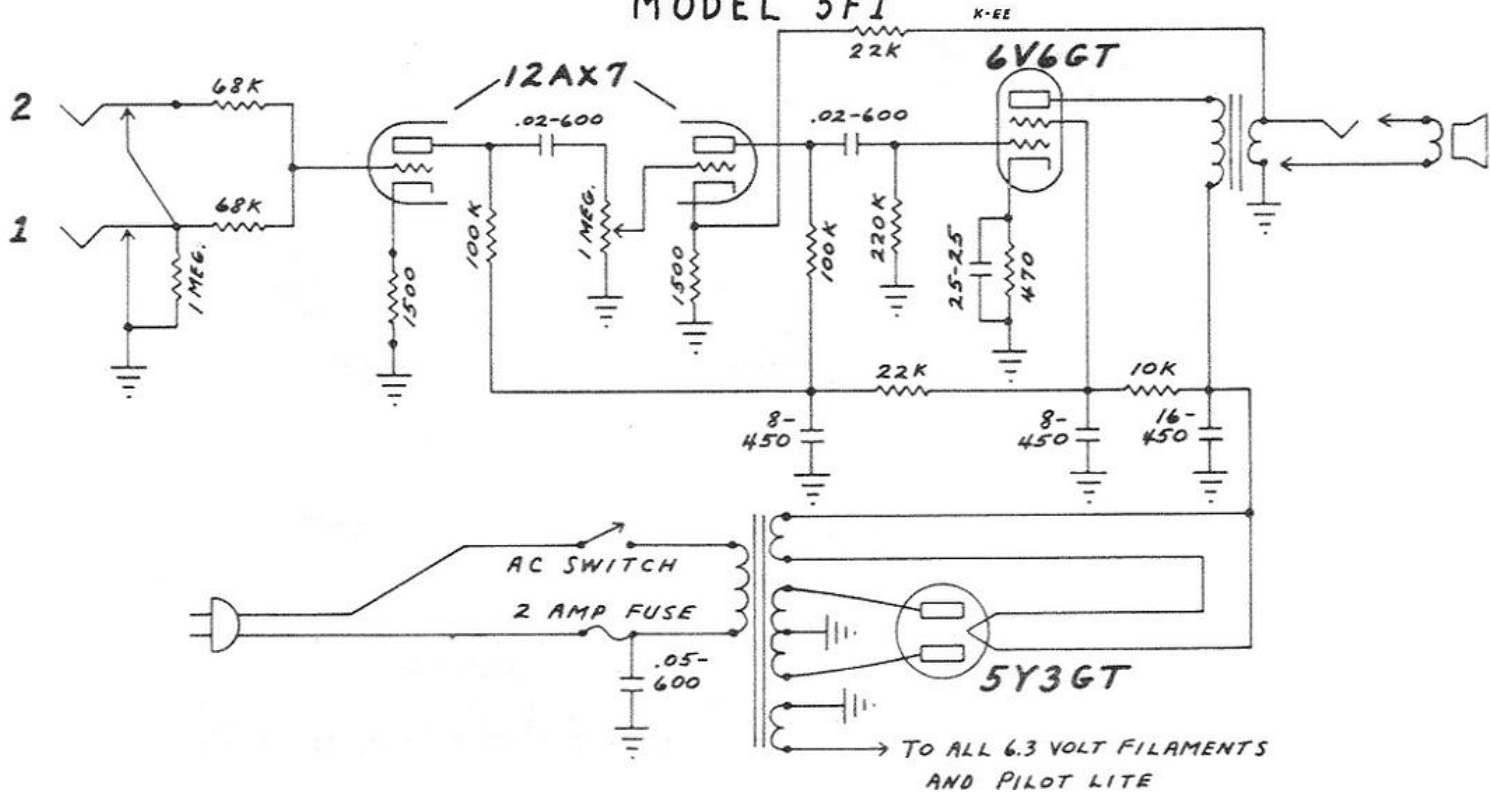


FENDER "CHAMP-AMP" SCHEMATIC MODEL 5F1



FENDER "CHAMP-AMP" LAYOUT MODEL 5F1

NOTICE
VOLTAGES READ TO GROUND
WITH ELECTRONIC VOLT-METER
VALUES SHOWN + OR - 20%

