

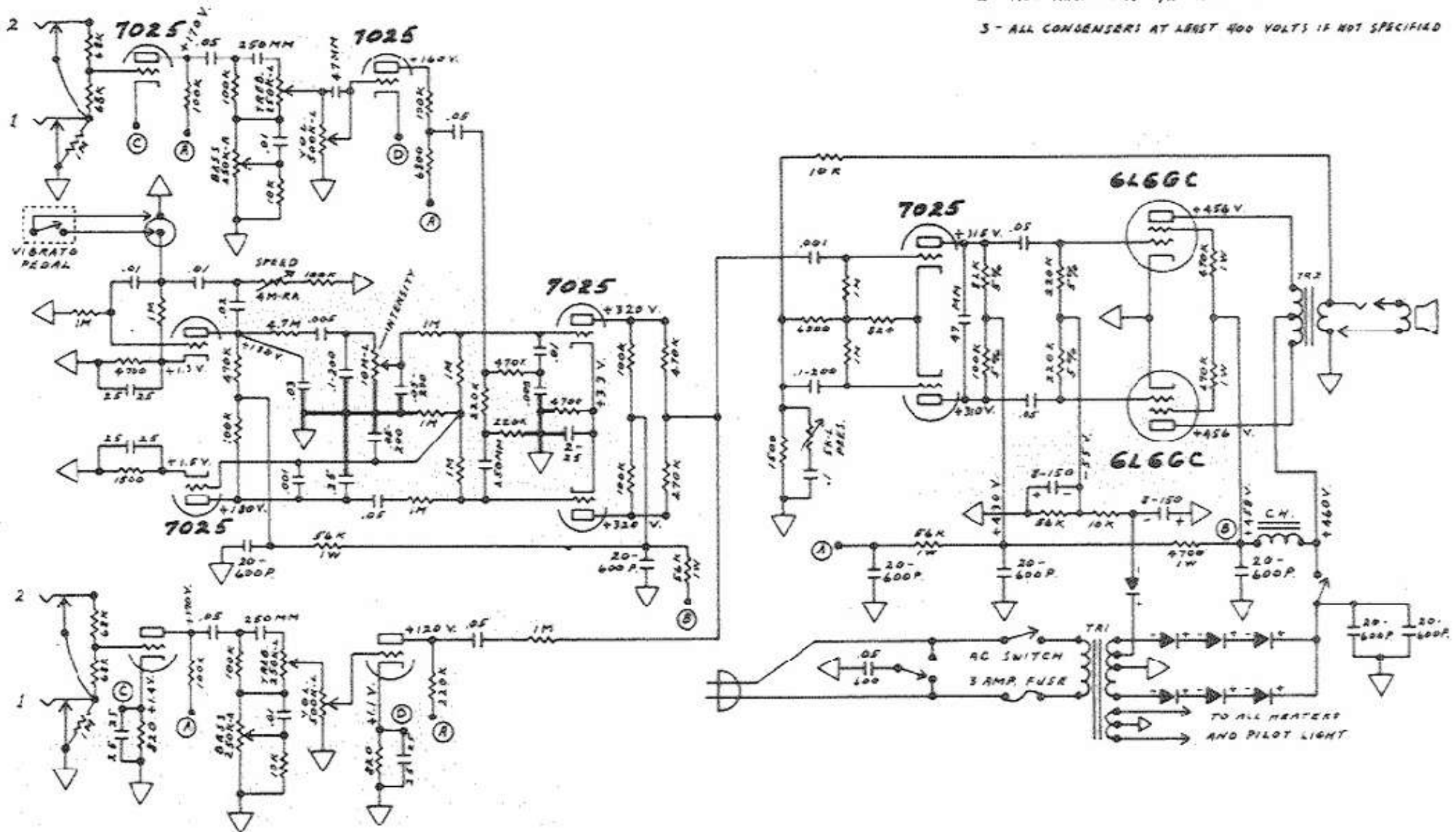
FENDER "BANDMASTER" SCHEMATIC

MODEL 6G7

A-FJ

NOTICE

- 1 - VOLTAGES READ TO GROUND WITH ELECTRONIC VOLTMETER. VALUES SHOWN + OR -
- 2 - ALL RESISTORS 1/2 WATT IF NOT SPECIFIED
- 3 - ALL CONDENSERS AT LEAST 400 VOLTS IF NOT SPECIFIED



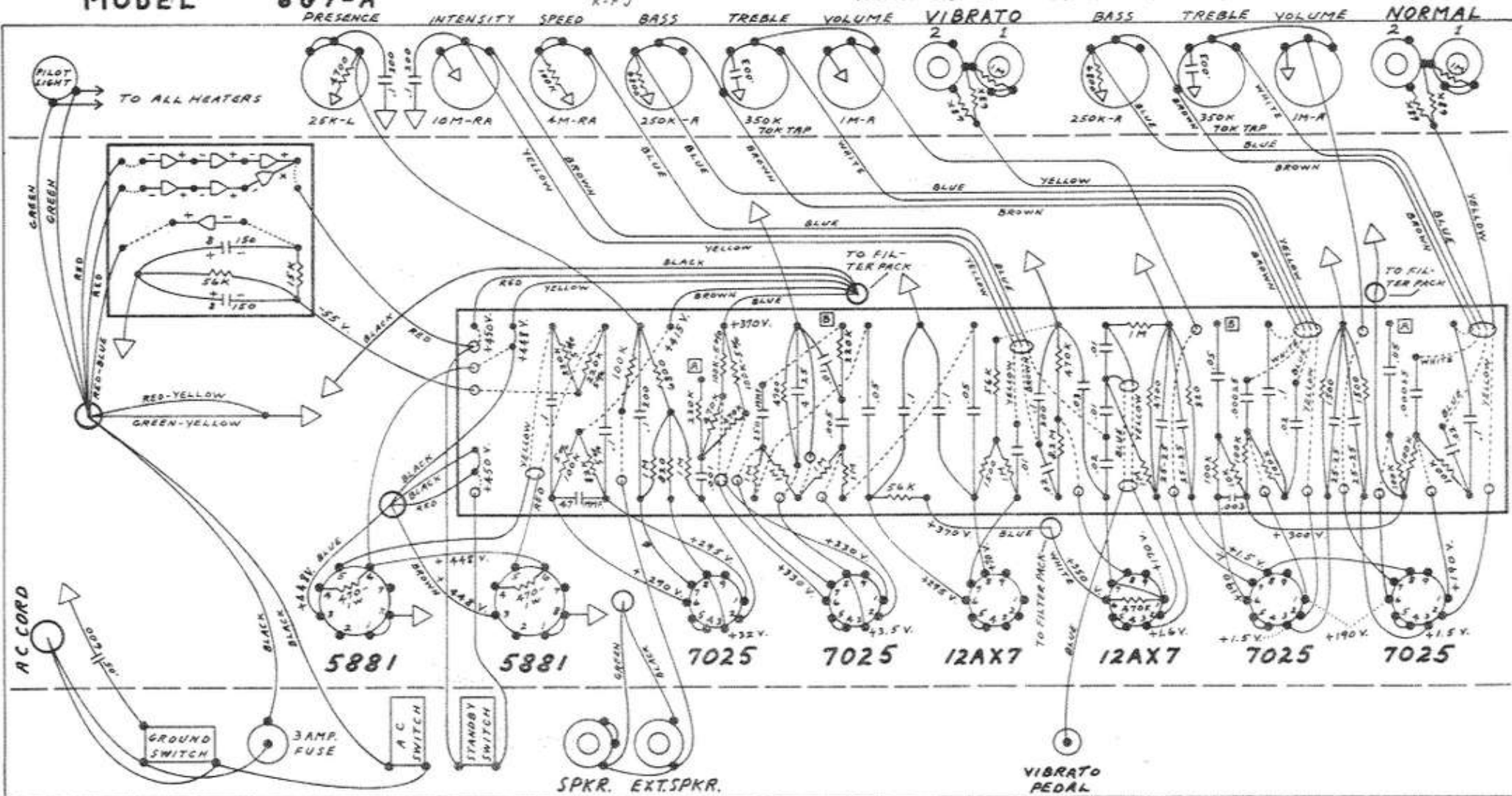
FENDER "BANDMASTER" LAYOUT

MODEL 6G7-A

K-FJ

NOTICE

VOLTAGES READ TO GROUND WITH ELECTRONIC VOLTMETER. VALUES SHOWN + OR - 20%



NOTE - ALL RESISTORS 1/2 WATT, 10% TOLERANCE, UNLESS SPECIFIED.

NOTE - ALL CAPACITORS AT LEAST 400 VOLT RATING UNLESS SPECIFIED